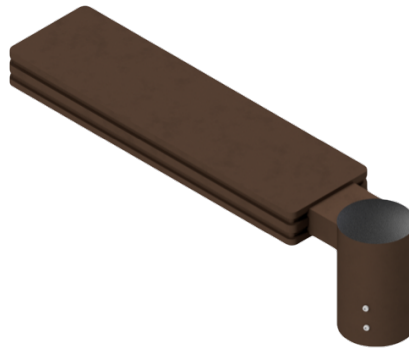




ZUMALIGHTING
QUALITY OUTDOOR SOLUTIONS



MODEL
OGDEN

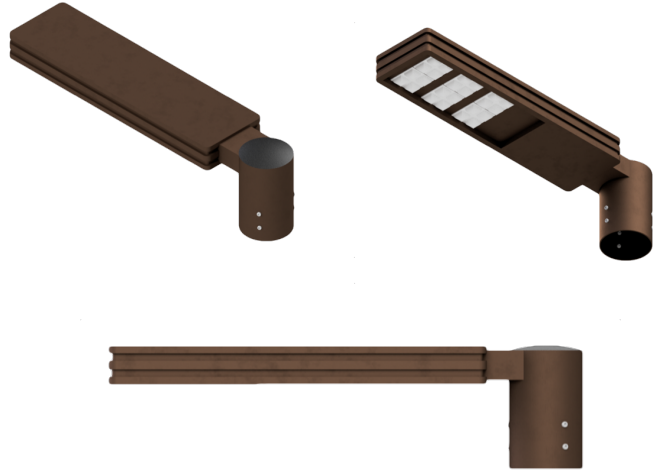
TYPE
LED

SERIES
ARCHITECTURAL

ZUMA LIGHTING LLC
325 N LARCHMONT BLVD STE 406, LOS ANGELES, CA 90004
INFO@ZUMALIGHTING.COM • (310) 975-3126 • ZUMALIGHTING.COM

ORDERING INFORMATION

Model OGDEN
Type LED
Series ARCHITECTURAL



FIXTURE	WATTAGE	VOLTS	COLOR TEMP	OPTICS	CONFIGURATION	MOUNT	COLOR	OPTIONS
OGD = Ogden	20W 30W 40W 60W 80W 90W 100W 120W 150W 160W 200W	U = 120v- 277v 8 = 480v	27K = 2700K 3K = 3000K 4K = 4000K 5K = 5000K	T2 T3 T4 T5	A = ●● B = ●●● C = ●●● D = ●●●● E = ●●●● F = ●●●● G = I● (wall mount) I = post top	SF = Slip Fitter (as shown) BO = Bolt-on	DB = Dark Bronze BK = Black WH = White SL = Silver CC = Custom	M = Motion Sensor PC = Photocell D = Dimming S = Surge Protection T = Textured Powder Coat Finish MGF = Marine Grade Finish

ZUMA LIGHTING LLC

325 N LARCHMONT BLVD STE 406, LOS ANGELES, CA 90004

INFO@ZUMALIGHTING.COM • (310) 975-3126 • ZUMALIGHTING.COM



SPECIFICATIONS

Housing and Lens

The fixture housing is fabricated from a combination of heavy duty cast and extruded aluminum components.

Electrical Components

EncapLED, an IP66-rated LED module system, combines optics and heat sink into one configurable unit which give precise light distribution. Available in types II, III, IV & V. It allows us to do 10w., 30w. & 40w. increment adjustment on light output. The module achieves 110-120 lm/w efficacy with LUXEON LUMILEDS TX CHIPS. Beside maximizing heat dissipation surface, we also utilize convection-based heat management which creates additional air flow around each chip. Unlike a big metal heat sink where the temperature for the chips in the middle is higher than the rest, the heat of each EncapLED chip gets dissipated evenly. A better heat dissipation design keeps the junction temperature low and ultimately prolongs the life of the LED chips. Our modules are available in any of our fixture designs, as well as in a simple retro-fit kit form for existing fixtures.

Mounting

Fixture can be installed on post-top. Specify slip-fitter or bolt-on.

Tenon top mounting options:

- over 3" OD (standard)
- over 2-3/8" OD

Fixture can also be installed on mounting arms, sold separately. See architectural arm .pdf for style options.

Finish

Thermoset polyester oven-baked powder coat, in any standard color. Custom colors are available to your specification.

Certificates & Warranty

- Suitable for wet locations
- 5-year warranty

