



Auburn Column

Overview

The Auburn Column is constructed from durable aluminum alloy and finished with a weather-resistant polyester powder coat. This column is an ideal solution for lighting parking lots and other expansive outdoor areas, combining powerful illumination with a sleek, modern aesthetic.

Size

Available with 8" diameter. Heights include 30", 36", 40" and 48". Custom sizes available, specify.

Electrical

- Watts: 7, 10, 12, 15 and 20W
- Voltage: 120v through 277v (U). 347-480v (HV).

LED

High performance LED CRI: 80. Color temperature ranges from CCT: 2700K - 5000K. Also available in Amber LED array.

Optics

Available Optics: 180° Optics (T180), 360° Optics (T360).

Lens

Acrylic Lens: Frosted Acrylic (FA), and Opal White Acrylic (OA)

Mounting

Heavy duty internal baseplate (IBP) installs on the ground with anchor bolts (four anchor bolts, nuts and washers). External base plate (ESM) also available, consult factory.

Finish

Outdoor polyester powder coat, available in our Zuma standard finishes with a four-step pretreat process to ensure optimal adhesion and surface integrity. Also available in custom RAL and in marine grade finish (MGF), specify.

Controls

- Dimming. 0-10v dimming (D) available.
- Motion sensor (M)
- Photocell: Small button Style photo cell available in 120V (PH1)¹ or 120v through 277v (PH2) on side of fixture².

¹ For use with 120v input voltage only.

² For use with 120v through 277v universal voltage (U) only.

Options

- Bollard can be made to "Buy American Compliant" (BAA)¹ and "Build America, Buy America Act Compliant" (BABA)¹ (includes BAA)
- Marine grade finish (MGF) available in standard and custom colors, consult factory.
- 180° Houseside Shield (HSS)
- 180° Houseside Shield on Optics (HSSOP)
- Surge Protection (SP): Field installed in the bottom of the bollard.
- Vandal Resistance Hardware (VRH): Optional vandal resistant stainless steel hardware installed for added security.
- Perforated Screen 180° (PS180)
- Perforated Screen 360° (PS360)

¹ Must specify at time of ordering in order to ensure product is manufactured to meet all required compliances.



Certificates & Warranty

- Designed to comply with UL 8750
- Suitable for Wet Locations
- 5-Year Warranty

Technical

- Operating Temperature: -40°F to 95°F (-40°C to 35°C)





ZUMALIGHTING

Project _____ Type _____ Qty _____

Company _____ Part # _____

Auburn Column

Example Code: AUB-C-0896-12W-HV-T180-FA-IBP-BK-D-PC-M-BAA-MGF-HSS-S

| Item | Size | Wattage | Volts | Color Temp | Optics | Lens ¹ | Mounting | Finish | Controls | Options |
|---------------------------|---|------------|------------------------|----------------------------------|----------------------------|------------------------------------|---|--|---|---|
| AUB-C Auburn Column | 0896 8"SQ x 8ft H | 7W | U 120v-277v | 27K 2700K | T180 180° Optics | FA Frosted Acrylic | IBP Internal Baseplate | BZB Zuma Bronze | D Dimming 0-10v | BAA² Buy America Act Compliant |
| | 08120 8"SQ x 10ft H | 10W | HV 347v-480v | 3K 3000K | T360 360° Optics | OA Opal White Acrylic | ESM External Surface Mount | BK GT Black | M Motion Sensor | BAA² Build America, Buy America Compliant |
| | 08144 8"SQ x 12ft H | 12W | | 35K 3500K | | | | SL Iridium Silver | PC Photocell | EMB Emergency Battery Backup |
| | CSxxx³ Custom Size | 15W | | 4K 4000K | | | | WH Alpine White | | MGF Marine Grade Finish |
| | | 20W | | 45K 4500K | | | | GRY Granite Gray | | HSS 180° Houseside Shield |
| | | 25W | | 5K 5000K | | | | GRN Moss Green | | S Surge Protection |
| | | 30W | | AMBR⁴ 560nm | | | | CCxxx⁵ Custom Color | | VRH Vandal Resistant Hardware |
| | 40W | | | | | | | | PS180 Perforated Screen 180° | |
| | | | | | | | | | | PS360 Perforated Screen 360° |

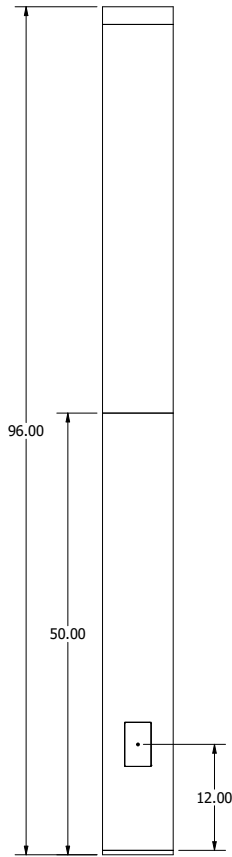
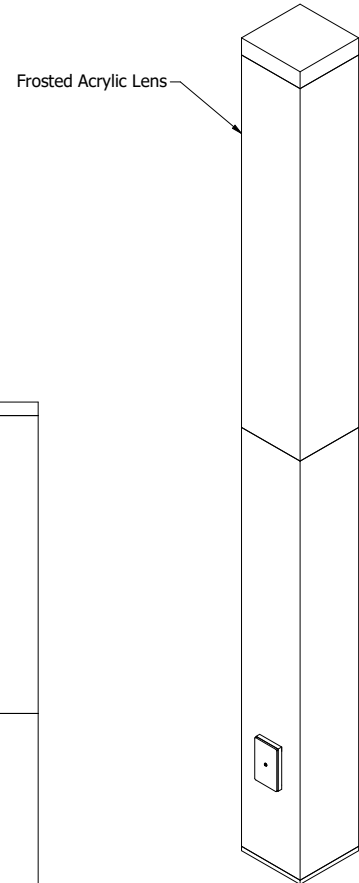
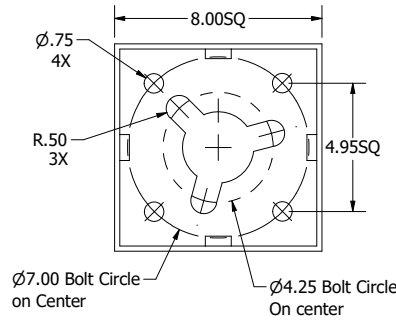
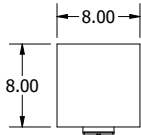
1 For use with Type V (T5) optics only. Consult factory for Anti-Glare Frosted Diffusion Lens with other Optic Types - Type II through Type IV (T2, T3, T4).
2 Consult our sales team for detailed information on compliance with domestic manufacturing regulations.
3 For custom head sizes specify width and depth in inches (e.g.: CS65 = 6" Wide x 5" Deep). Min Width: 6.00". Min Depth: 3.00".
4 Amber lighting is for turtle and wildlife friendly requirements (560nm+) and lumen outputs will be reduced to approximately 40-50 lm/w.
5 Custom colors: Available in smooth and textured finishes. Also available in RAL and Sherwin Williams colors, consult factory.



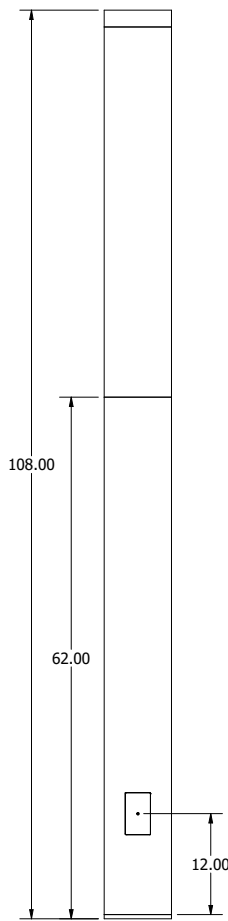


Auburn Column

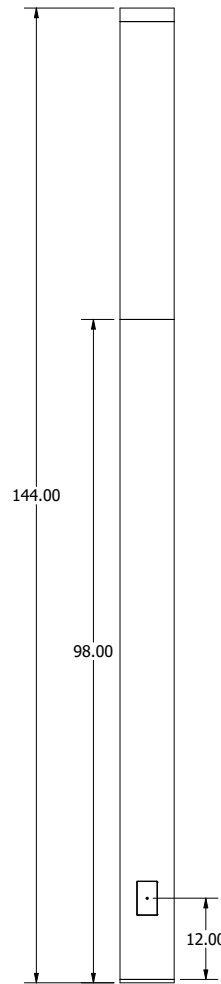
Dimensions 8"



AUB-C-0896



AUB-C-08120



AUB-C-08144

