



AT02 Arm

Construction

The AT02 Arm is fabricated from heavy duty extruded aluminum alloy with an outdoor polyester powder coat finish. Includes stainless steel hardware. Marine grade finish available. Also available in steel, specify.



Arm Cap

- Arms are fitted with a UV stable, weather resistant, PVT plastic flat cap (-FC) with an internal securing spring, painted to match the arm.
- Custom Dome Capes (-DC) or Spherical Ball Caps (-SC) are available, specify.

Arm Configuration

Come in Single, Double, Triple and Quad Arm options.

Arm Sizes

- Three (3) standard sizes for fixture sizes from, 16" through 30".
- Small (12" H x 18" W): For fixtures 14" Dia. thru 18" Dia.
 - Medium (12" H x 24" W): For fixtures 18" Dia. thru 24" Dia.
 - Large: (12" x 26" W): For fixtures 20" Dia. thru 30" Dia.
 - Custom sizes available, specify.

Mounting (to pole)

AT02 installs on poles (open or tenon), and/or post tops.

- 3" O.D. x 4" Long (SF304)
- 3-1/2" O.D. x 4" Long (SF304)
- 4" O.D. x 4" Long (SF404)
- Custom Slip Fitters available, specify.

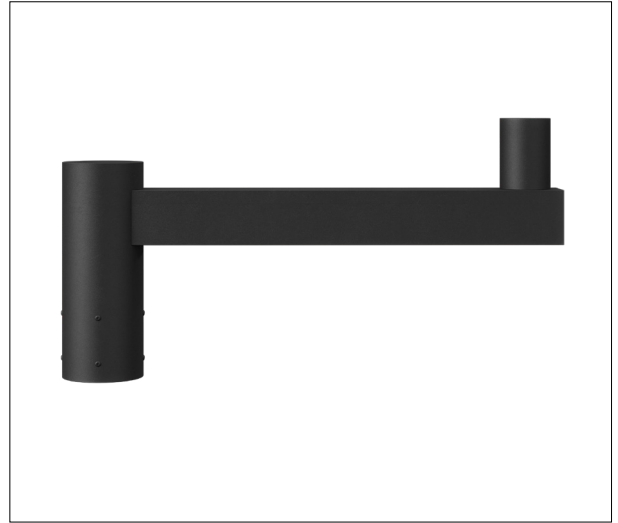
Arm Mounting (to fixture)

AT02 comes with standard 4" long Tenons for fixture.

- 2-3/8" O.D. x 4" Long (TN23804)
- 3" O.D. x 4" Long (TN304)
- Custom Arm Tenons available, specify.

Options

- Buy American Act Compliant (BAA)
- Build America, Buy America Act Compliant (BABA. Includes BAA)
- Marine Grade Finish (MGF)





ZUMALIGHTING

Project _____ Type _____ Qty _____

Company _____ Part # _____

AT02 Arm

Example Code: AT02-S-T90-1224-SF404-TN3804-GRN-BAA-BABA-MGF

| Item | Material | Arm Configuration | Size | Mounting (To Pole) | Arm Mounting (To Fixture) | Caps | Finish | Options |
|-------------|----------------------------------|--|--------------------------------------|---|-------------------------------------|---------------------------------------|----------------------|---|
| AT02 Arm | A Aluminum (std.) | S1 ¹ Single Arm | 1218 12"H x 18"W Ctr to Ctr | SF304 ¹ Fits over a 3.0" O.D. x 4" L Tenon | TN23804 2-3/8" O.D. x 4" L Tenon | FC Flat Cap (Std.) | BZ8 Zuma Bronze | BAA ² Buy American Act Compliant |
| | S Steel | D90 Double arms at 90° | 1224 12"H x 24"W Ctr to Ctr | SF3504 ¹ Fits over a 3-1/2" O.D. x 4" L Tenon | TN304 3.0" O.D. x 4" L Tenon | DC ³ Dome Cap | BK GT Black | BABA ² Build America, Buy America Act Compliant |
| | | D180 ¹ Double arms at 90° | 1226 12"H x 26"W Ctr to Ctr | SF404 Fits over a 4" O.D x 4" L Tenon | | SC ³ Spherical Ball Cap | SL Iridium Silver | MGF Marine Grade Finish |
| | | T90 Triple (3) Arms at 90° | Cxxx ⁴ Custom Arm Size | CSFxxx ⁴ Custom Slip Fitter | | | WH Alpine White | |
| | | T120 ¹ Triple (3) Arms at 120° | | | | | GRY Granite Gray | |
| | Q90 Quad (4) Four Arms at 90° | | | | | GRN Moss Green | | CCxxx ⁵ Custom Color |

- 1 Slip Fitter 3.0" O.D. (SF304) and 3-1/2" O.D. (SF3504) for Single Arm (S1), Double Arm (D180), and Triple (T120) arm configurations only.
- 2 Consult our sales team for detailed information on compliance with domestic manufacturing regulations.
- 3 Dome Cap and Spherical Ball Caps are custom order, please specify.
- 4 Custom Arm Size (Cxxxx) and Slip Fitter (CSFxxxx) sizes available, consult factory.
- 5 Custom colors: Available in smooth and textured finishes. Also available in RAL and Sherwin Williams colors, consult factory.





AT02 Arm

Dimensions & Arm EPA / Weights

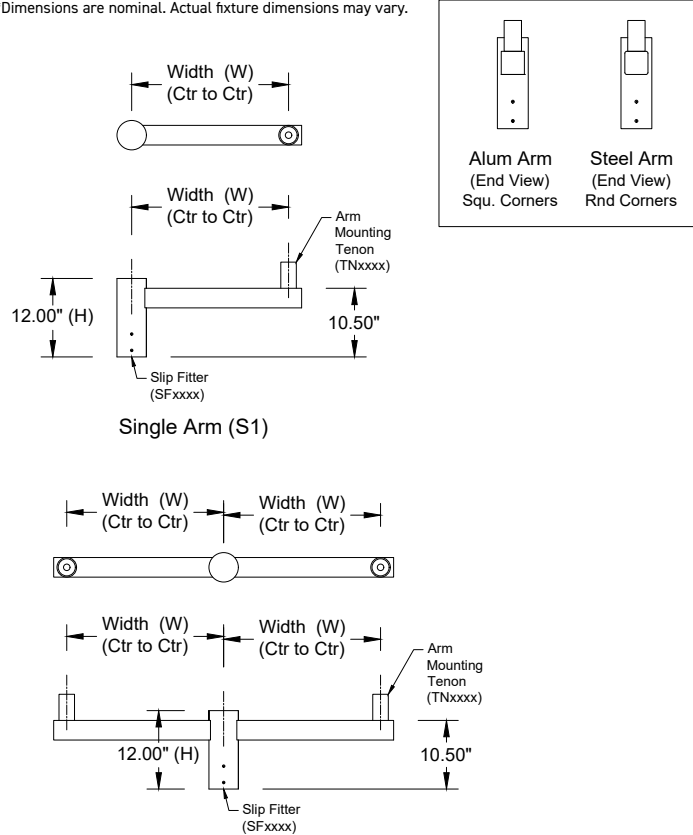
EPA and Weights*

| Arm Info | | | EPA & Weights * | | | |
|----------|---------------|----------------------------------|---------------------|--------------|----------------------|--------------|
| ARM No. | ARM SIZE CODE | ARM SIZE : H X W (Ctr to Ctr) | SINGLE ARM (S1) | | DBLE ARM 180° (D180) | |
| | | | EPA ft ² | WEIGHT (lbs) | EPA ft ² | WEIGHT (lbs) |
| AT02 | 1218 | 12.00" H x 18.00" W | 1.0 | 8.11 | 1.7 | 12.90 |
| AT02 | 1224 | 12.00" H x 24.00" W | 1.3 | 9.35 | 2.1 | 15.38 |
| AT02 | 1226 | 12.00" H x 26.00" W | 1.3 | 9.77 | 2.3 | 16.21 |

*Based on 4" O.D. x 4" (or 6") Long Slip Fitter
Above information for aluminum arms only. For other EPA and weights for standard or custom aluminum (or steel) single, double triple, and quad arms consult factory.

Arm Dimensions*

*Dimensions are nominal. Actual fixture dimensions may vary.



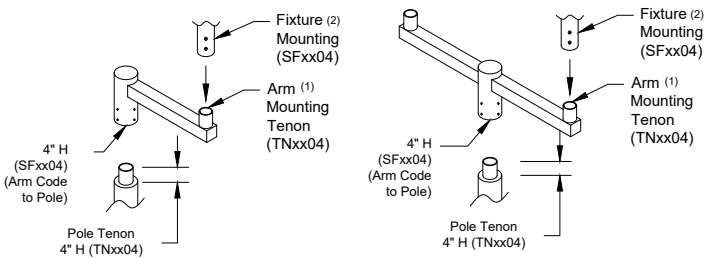
Arm and Fixture Dimensions and Size Codes**

| Arm Info Single, Double, Triple, Quad (Mounting) | | | | | | Fixture Info | |
|--|------------|----------------------------|---------------------------------------|---------------------------------|---------------------------------------|-------------------------------------|-------------------------|
| AT02 ARM SIZE CODE | ARM HT (H) | ARM WIDTH - CTR TO CTR (W) | ARM SIZE (Alum. or Steel) | ARM Configuration (No. of Arms) | Arm Mounting Tenon Code (Example) (1) | Fixture Mounting Code (Example) (2) | FIXTURE SIZE (DIAMETER) |
| 1218 | 12.00" | 18.00" | 3.0" x 3.0" SQU. Aluminum or Steel | S1 (1 Arm) | TN304 | SF304 | 14" THRU 18" Dia. |
| 1224 | 12.00" | 24.00" | | Dxx (2 Arms) | TN304 | SF304 | 18" THRU 24" Dia. |
| 1226 | 12.00" | 26.00" | | Txx (3 Arms) | TN304 | SF304 | 20" THRU 30" Dia. |
| | | | | Qxx (4 Arms) | | | |

** Information is for aluminum and steel arms. See page 4 for fixture to pole spacing.
(1) (2) Above code examples are for reference only. Arm and Fixture code size must match. Codes sizes vary with tenon and arm size. See Arm & Fixture Spec sheet for all mounting codes.

Arm Slip Fitter and Pole Tenon Heights***

***Aluminum Arm Shown Below

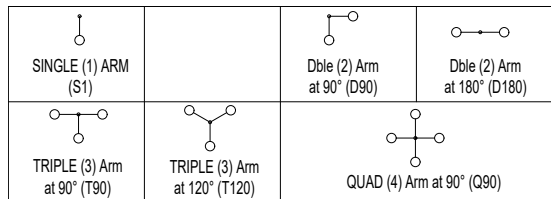


AT01 Single Arm (S1)
Slip Fitter & Tenon Height (H): 4"
(SFxx04 & TNxx04)

AT01 Double, Triple, & Quad Arm
(Dxx, Txx, & Qxx)
Slip Fitter & Tenon Height (H): 4"
(SFxx04 & TNxx04)

Double, Triple and Quad Arms
(Dxx, Txx, Qxx)
(Double Arm (D180) Shown for Clarity)

Arm Configuration





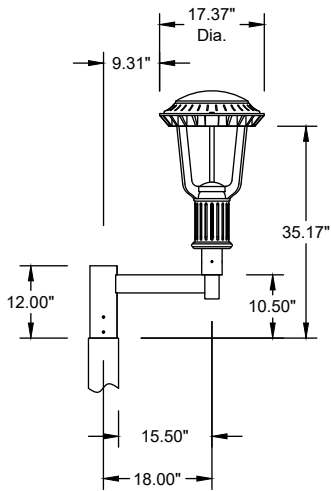
AT02 Arm

Arm and Fixture Spacing*

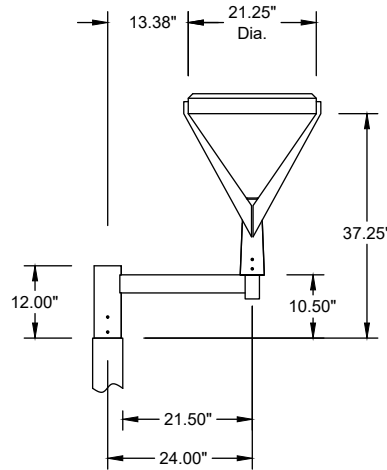
AT02 Single Arm (S1) and Double Arm (D180)

San Tropez (STR), Solstice (SOL), and Morro (MOR) fixtures (18" through 22" Dia.)

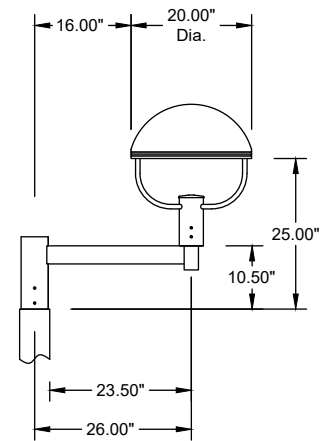
*Dimensions are nominal. Actual fixture dimensions may vary



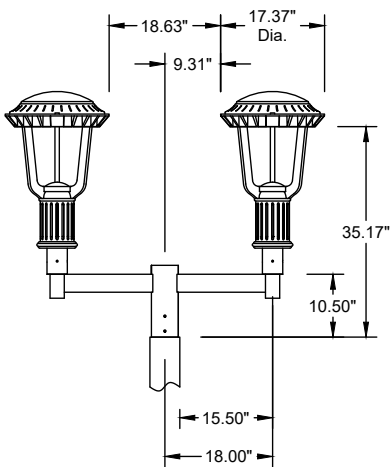
AT02 S1-1218 Single Arm, 12\"/>



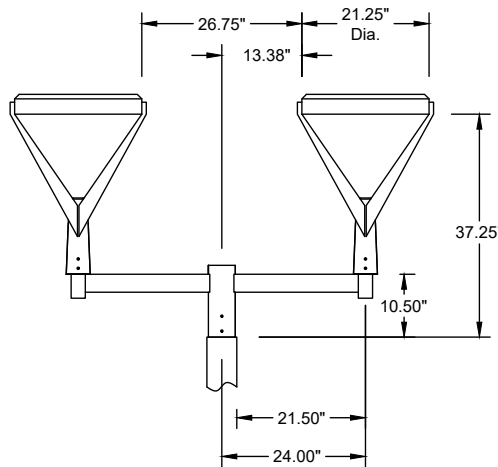
AT02 S1-1224 Single Arm, 12\"/>



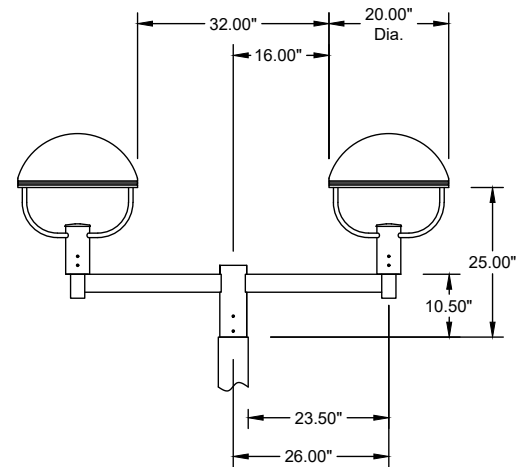
AT02 S1-1226 Single Arm, 12\"/>



AT02 D180-1218 Double Arm, 12\"/>



AT02 D180-1224 Double Arm, 12\"/>



AT02 D180-1226 Double Arm, 12\"/>

